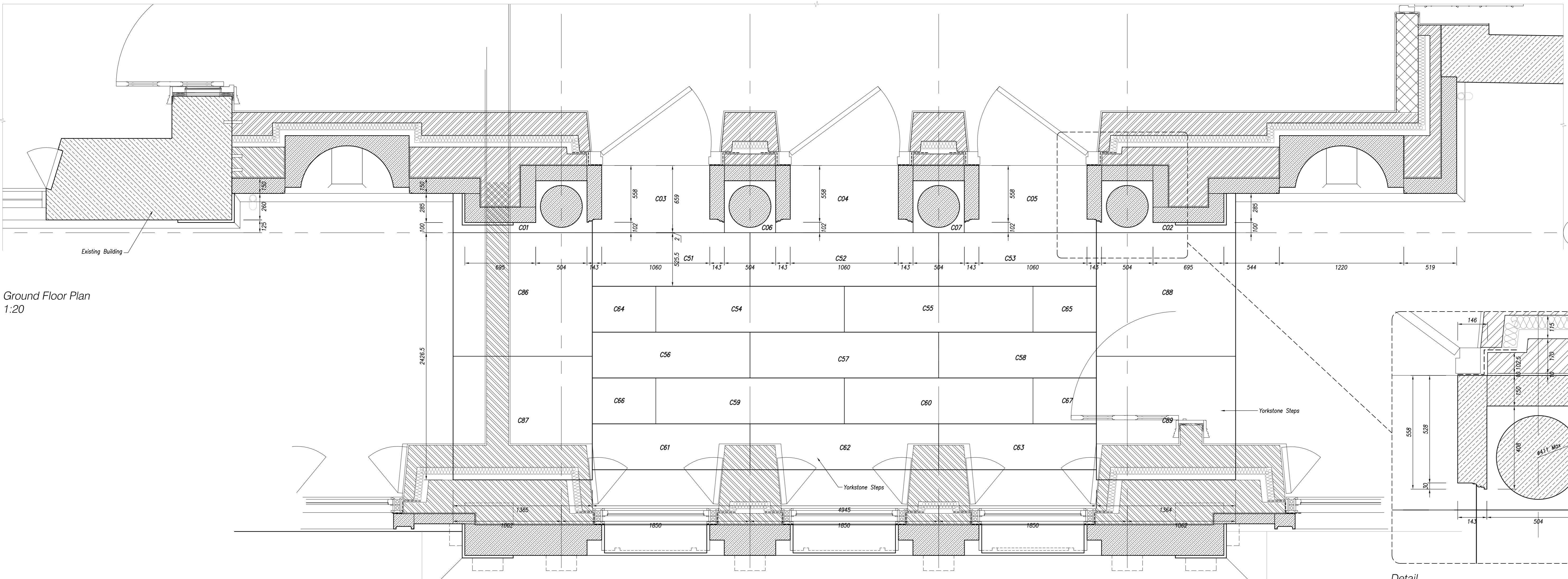
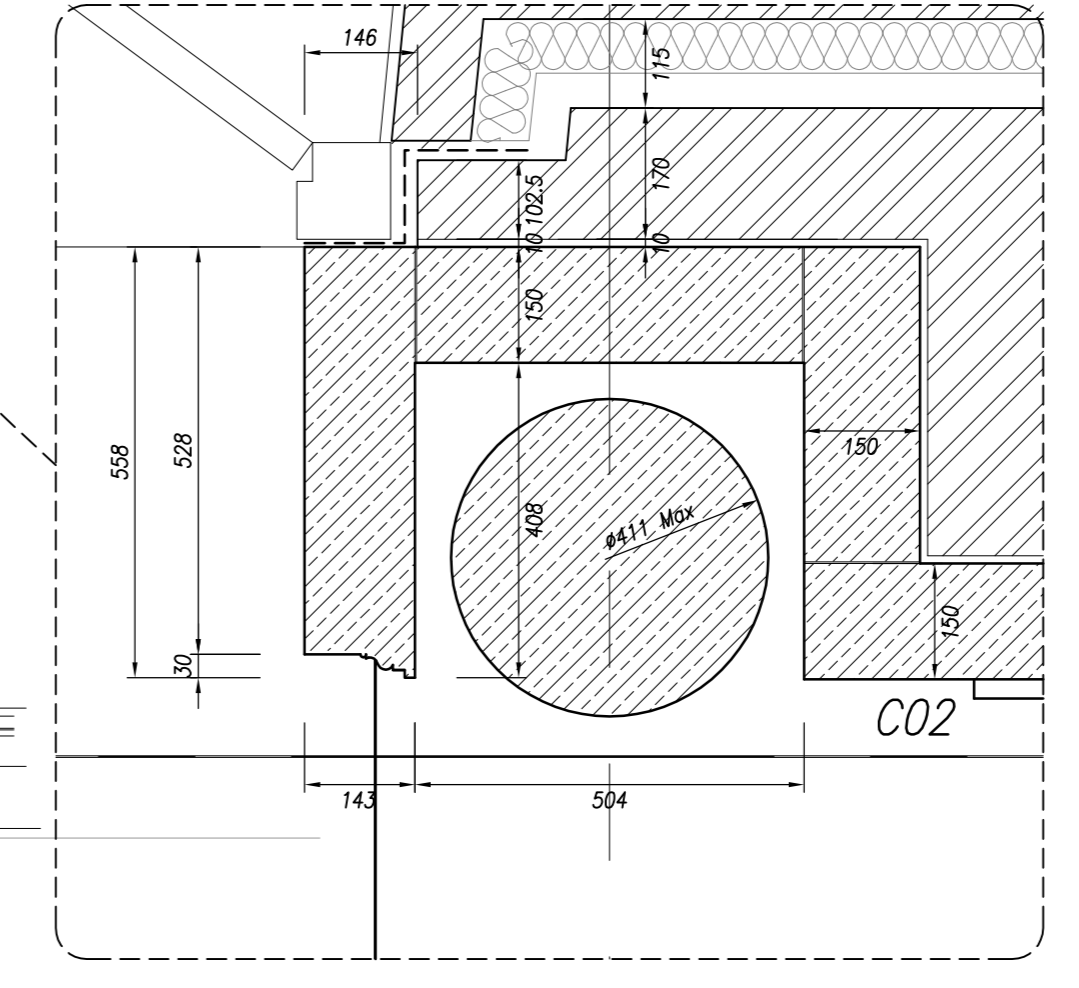




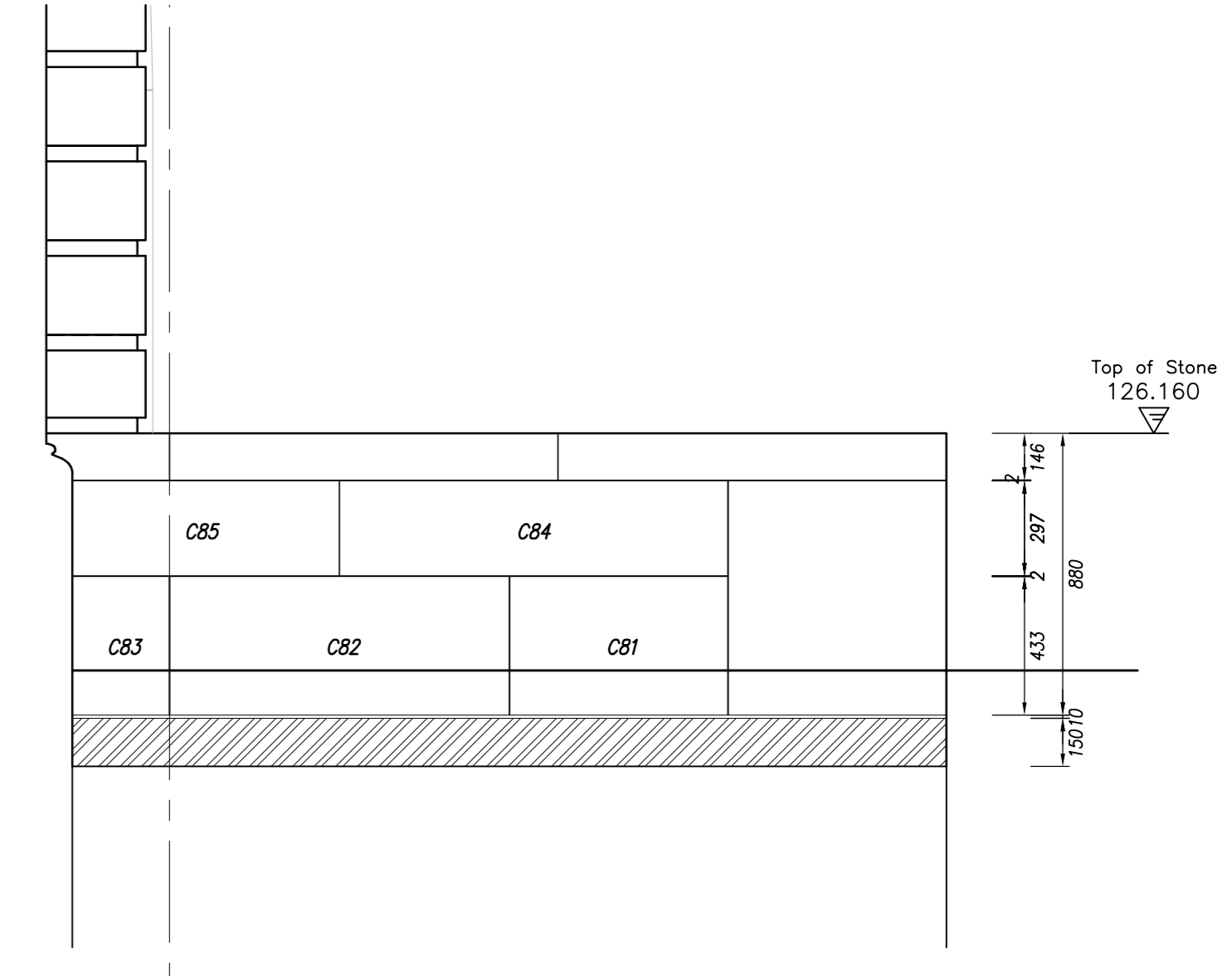
LOCATION
 = Through Stones



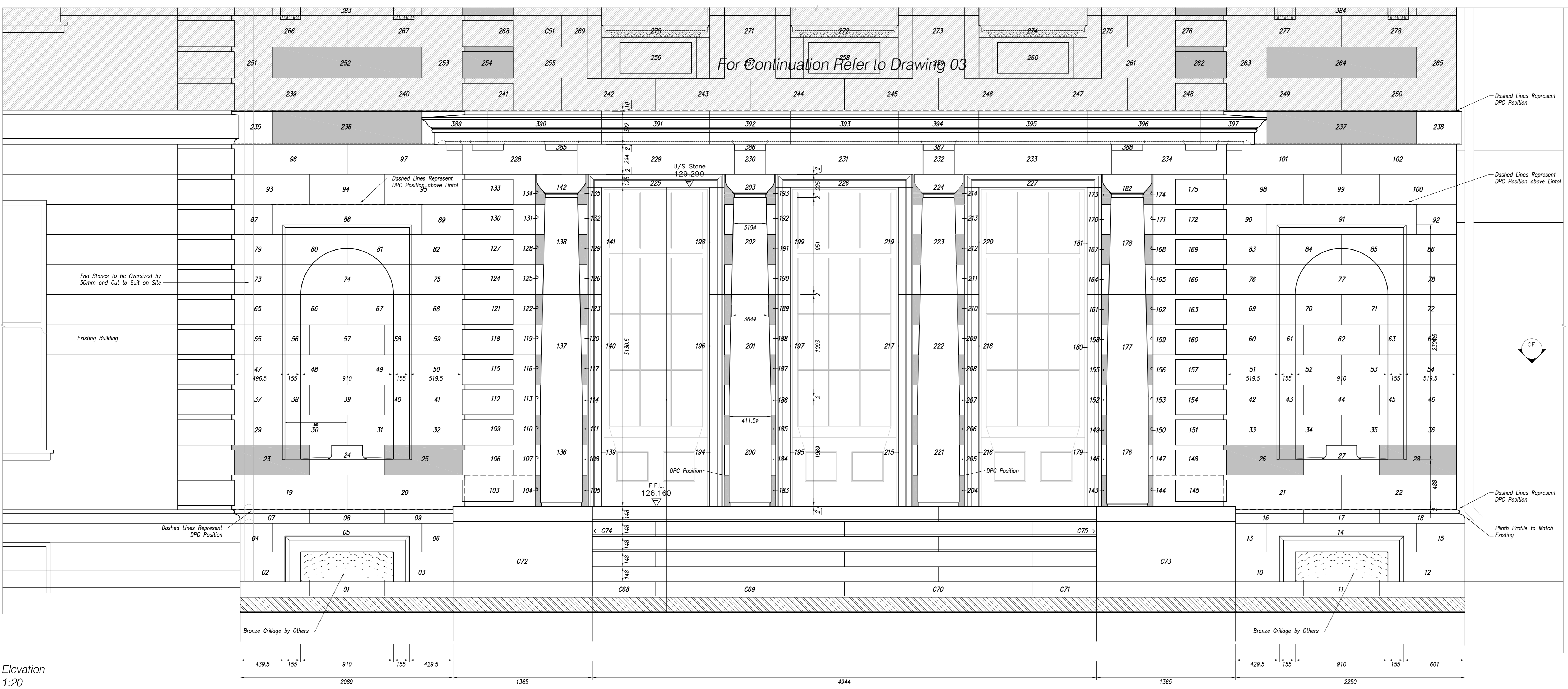
Ground Floor Plan
 1:20



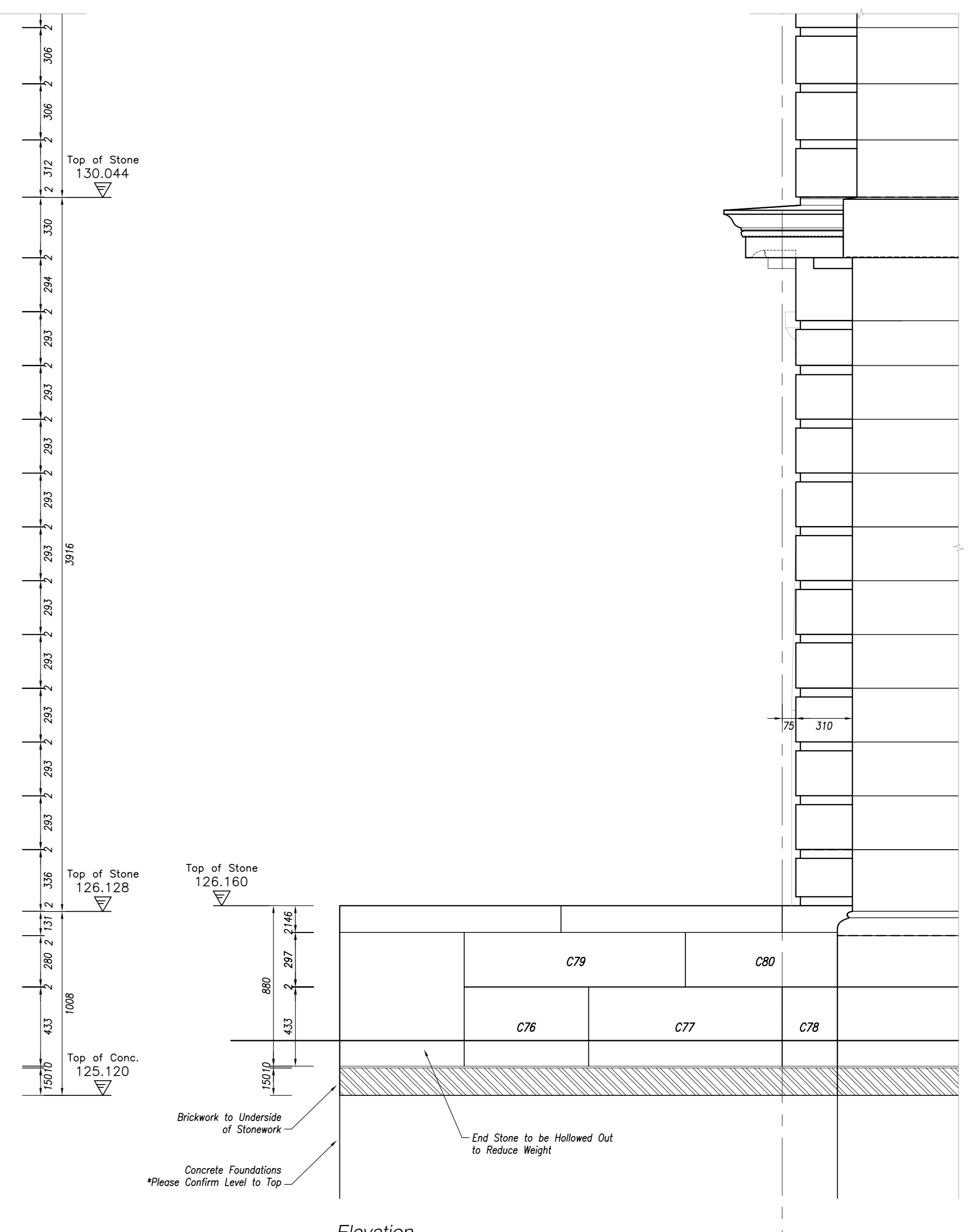
Detail
 1:10



Section Z
 1:20



Elevation
 1:20



Elevation
 1:20

For Continuation Refer to Drawing 03