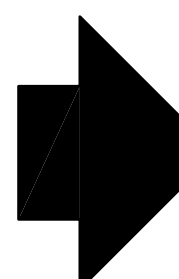
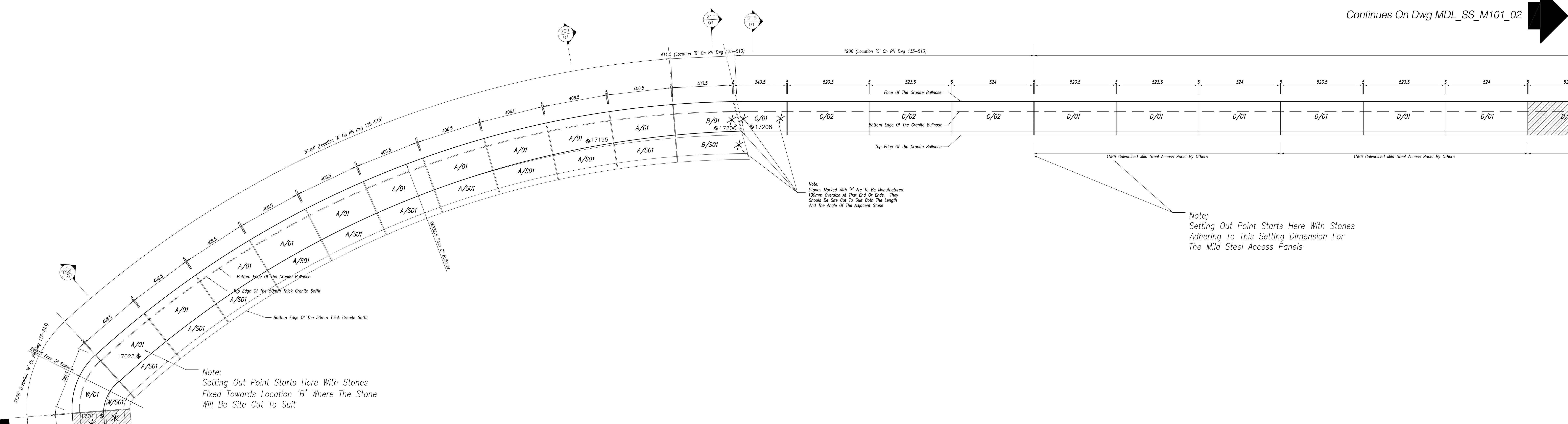
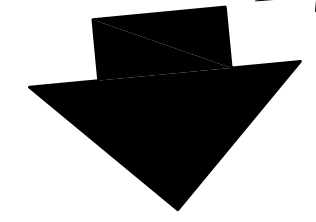


Note:
This Drawing To Be Read In Conjunction With Architects And Engineers
Setting Out Drawings RH 135-513 & 514, Aug. 50203, 004 & 50021
Levels And The Section Setting Out Points Refer To The Arup Setting
Out Points Shown On Drawings 50003, 004 & 50021

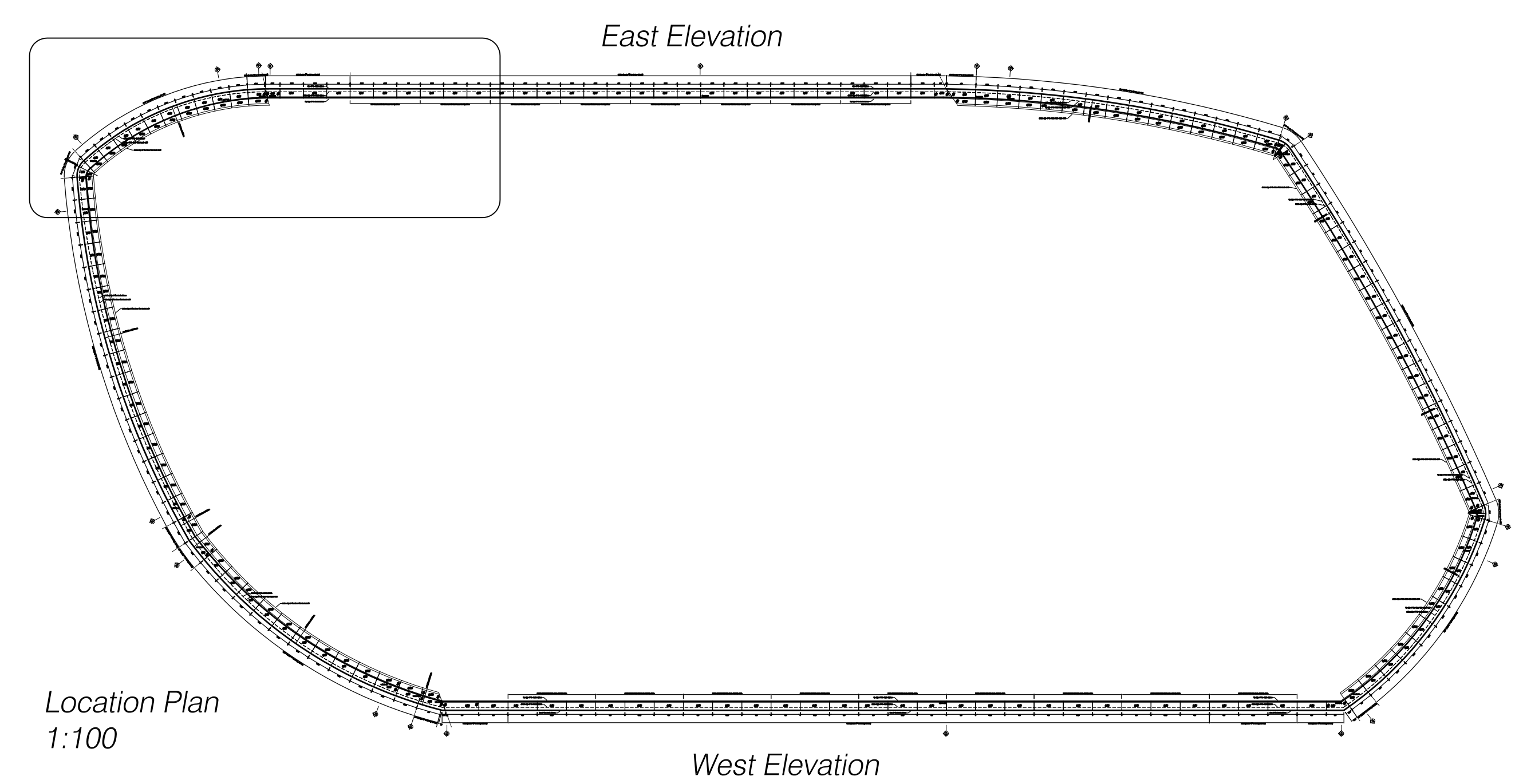
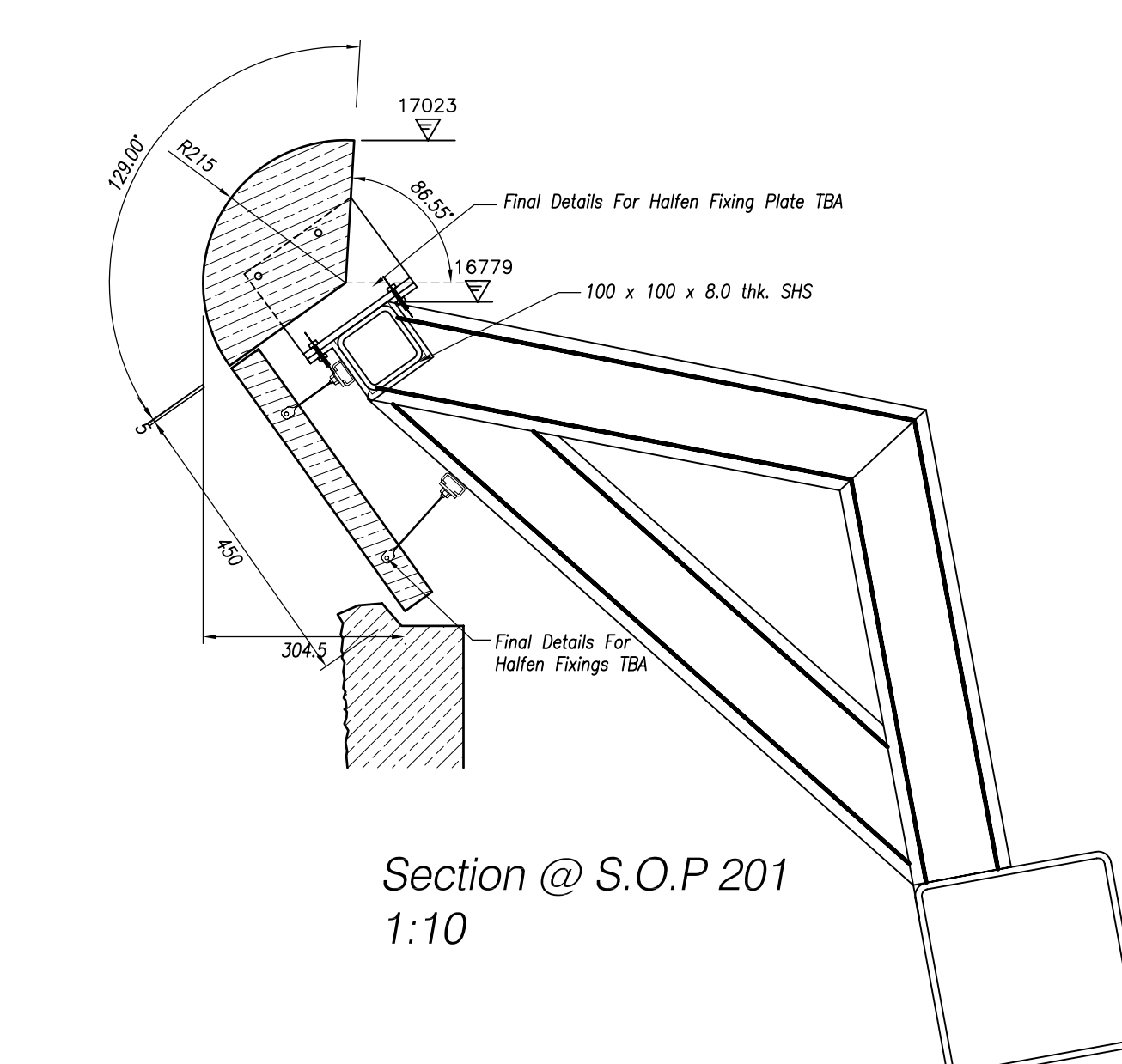
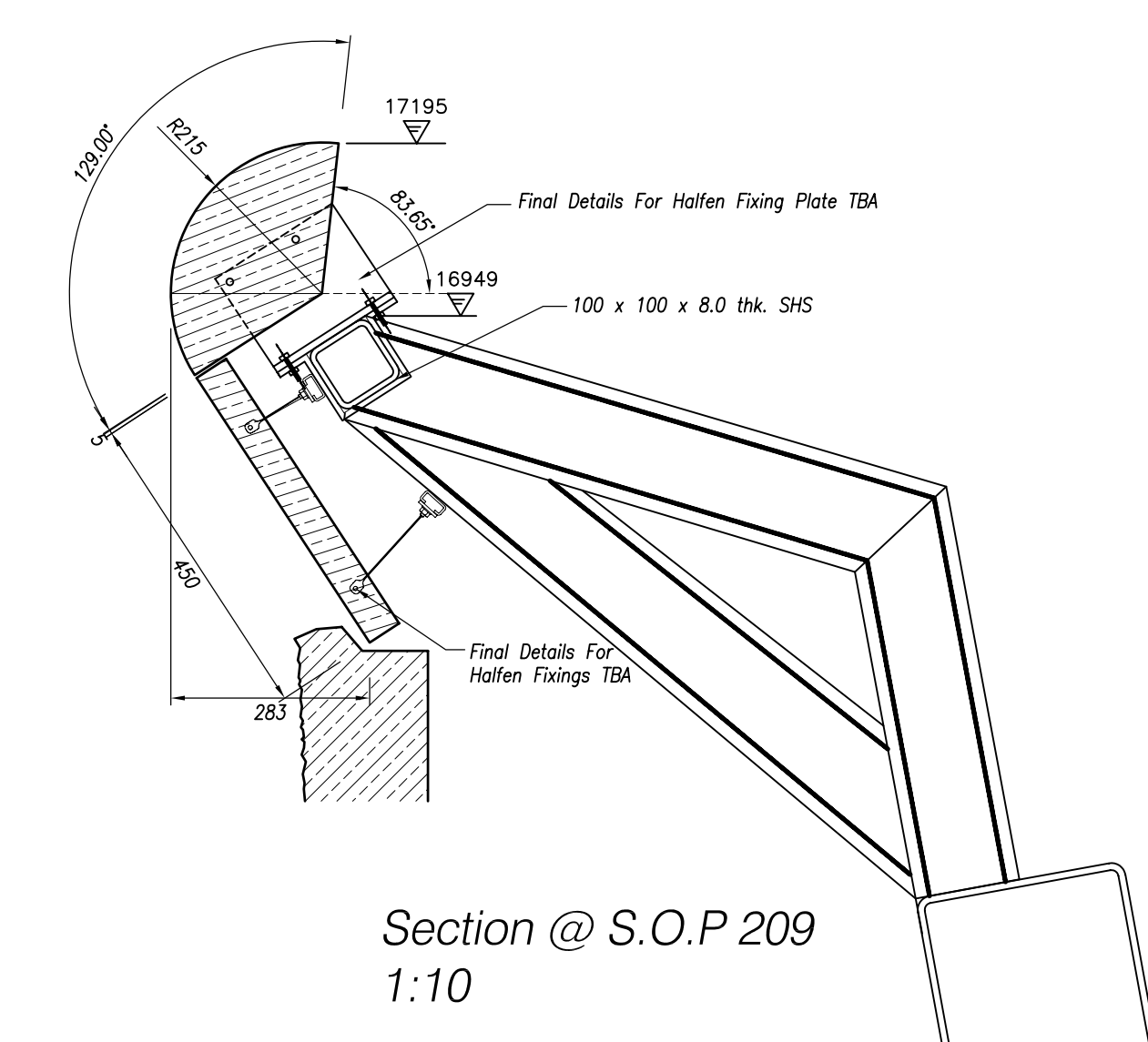
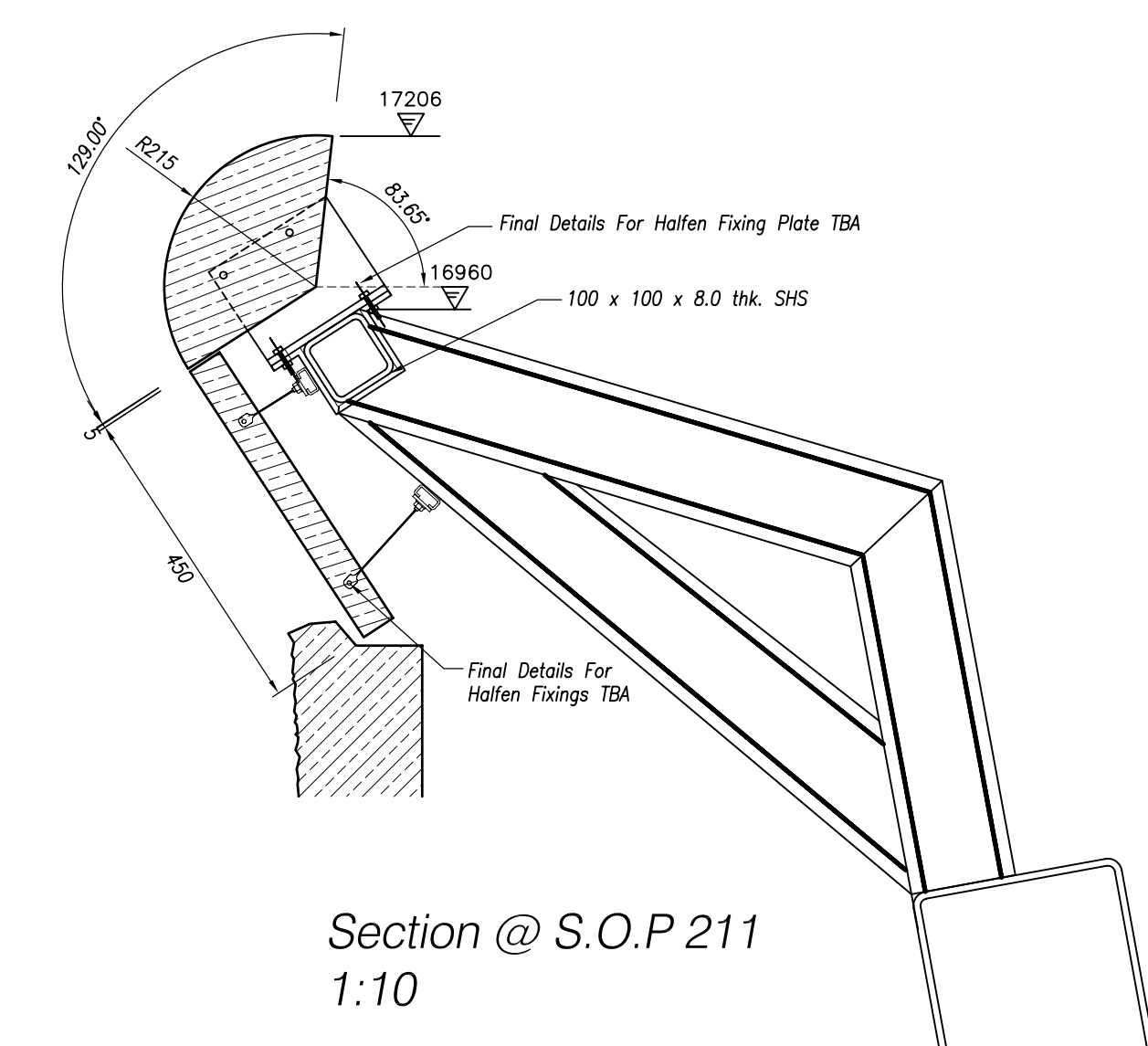
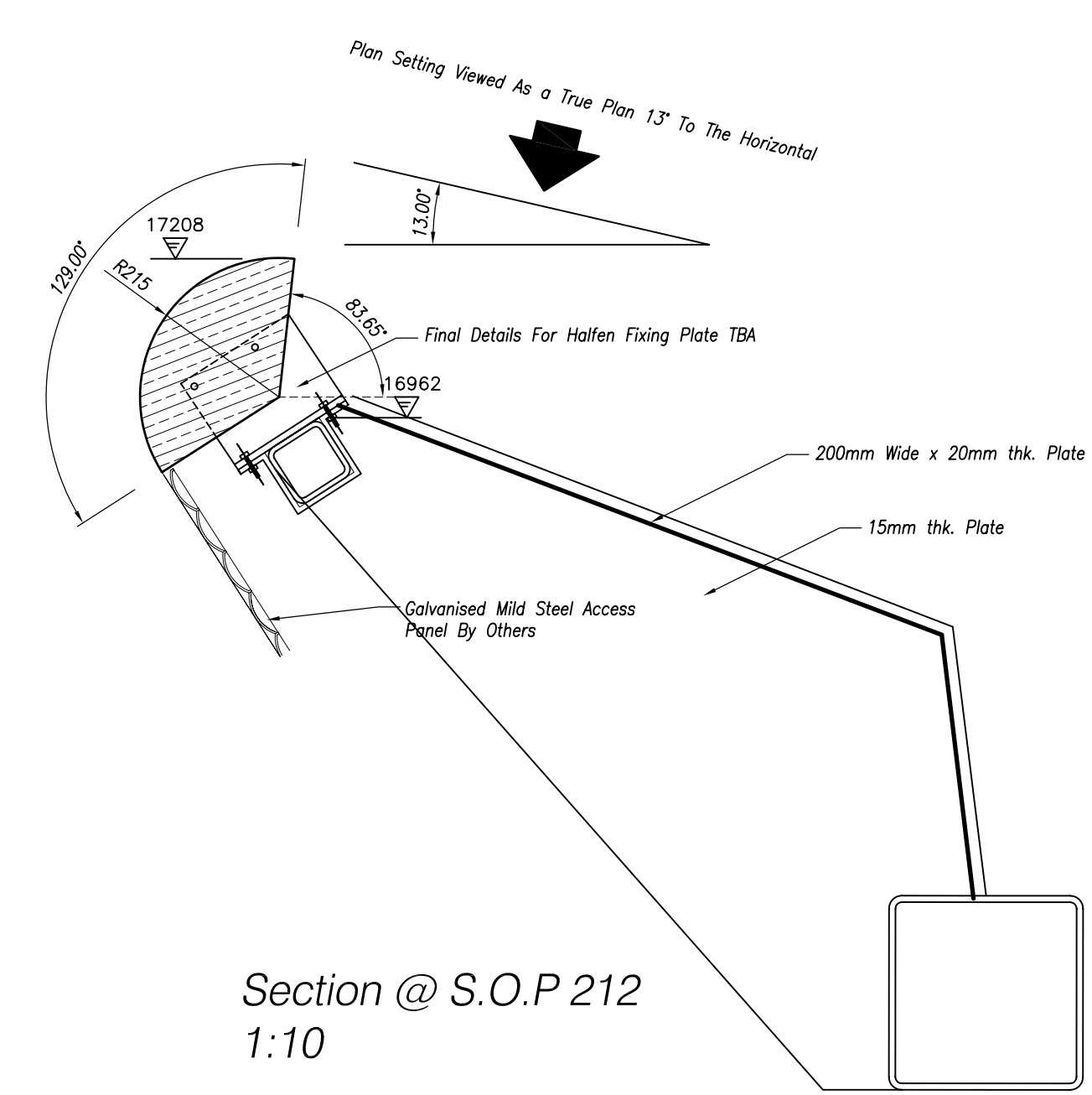
Continues On Dwg MDL_SS_M101_02



Continues On Dwg MDL_SS_M101_01



True Plan Layout (Viewed 13° To Horizontal), Locations W, A, B, C & D
1:10



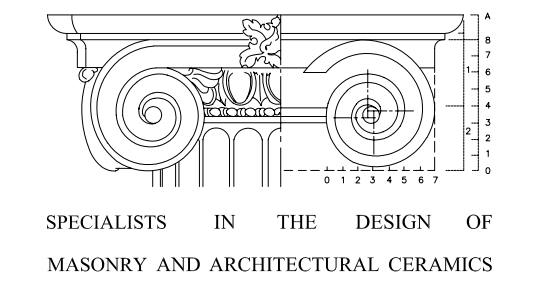
REV.	DESCRIPTION	DATE
------	-------------	------

REV.	DESCRIPTION	DATE
Rev C	As-Built Issue	Apr '08
Rev B	Sorts Keymarks Added	Feb '07
Rev A	Fixing & Level Amendments And Keymarks & Notes Added	Jan '06

As-Built Issue

Copyright and ownership of this drawing is vested in the company named on the drawing, unless proven otherwise. It is required for the full reproduction of this drawing to seek the party's copyright consent. All rights reserved by law or copyright and international copyright conventions are reserved to the company named on this drawing and may be protected by court proceedings for damages and/or injunctions and costs.

MASONRY DESIGN LIMITED



SPECIALISTS IN THE DESIGN OF MASONRY AND ARCHITECTURAL CERAMICS

3 TREBENT BUSINESS PARK, WHITEHURST DRIVE, BLACKBURN, LANCAS, BB10 3HT
TEL: 01524 533724 FAX: 01524 533726 EMAIL: INFO@MASONRYDESIGN.CO.UK

PROJECT
Snowdon Summit Building

TITLE
Granite Bullnose Surround
Setting Out To Locations W, A, B, C & D
Sheet 1/9

SCALE
1:10 DATE
Nov 06

DRAWN
P. Taylor CAD. REF
Dwg01.dwg

MDL_SS_M101_01C