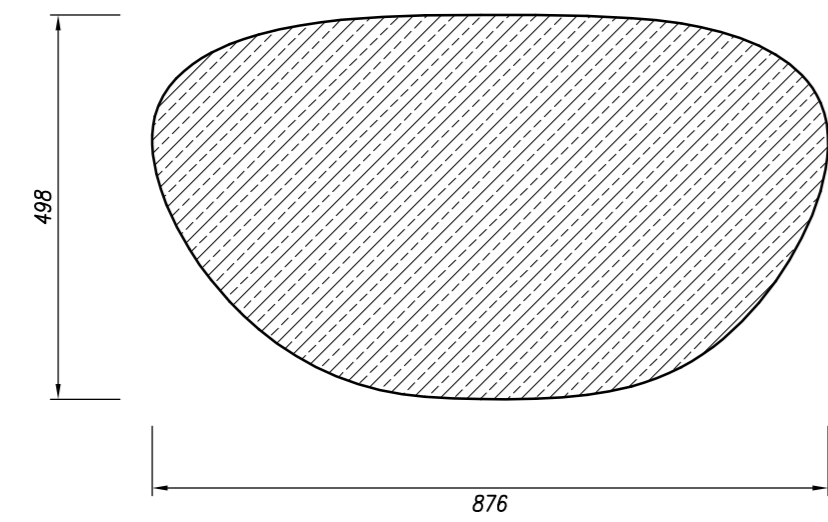
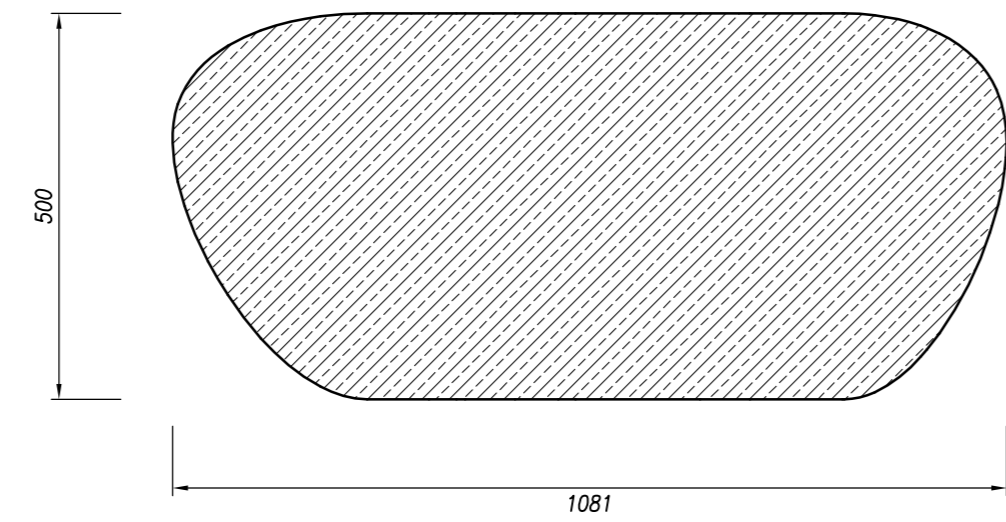


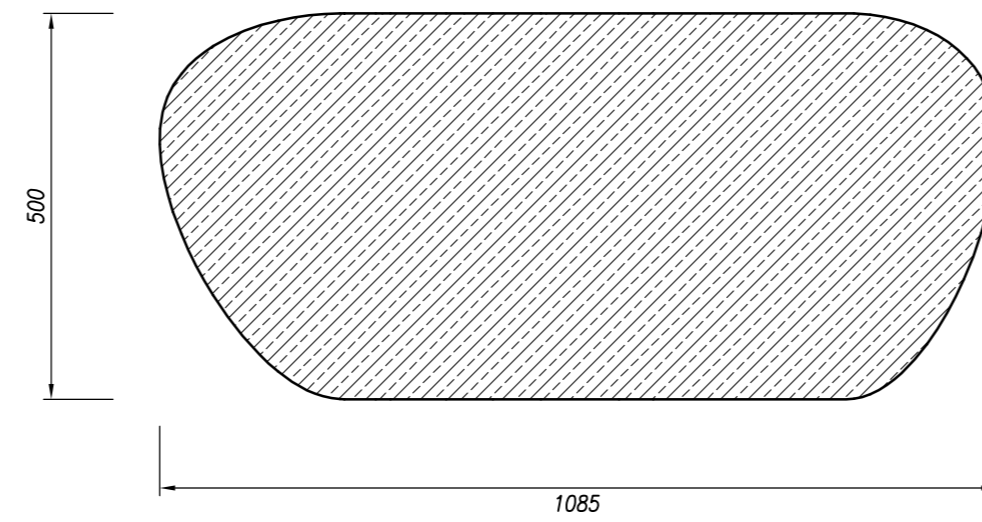
Section 01  
1:10



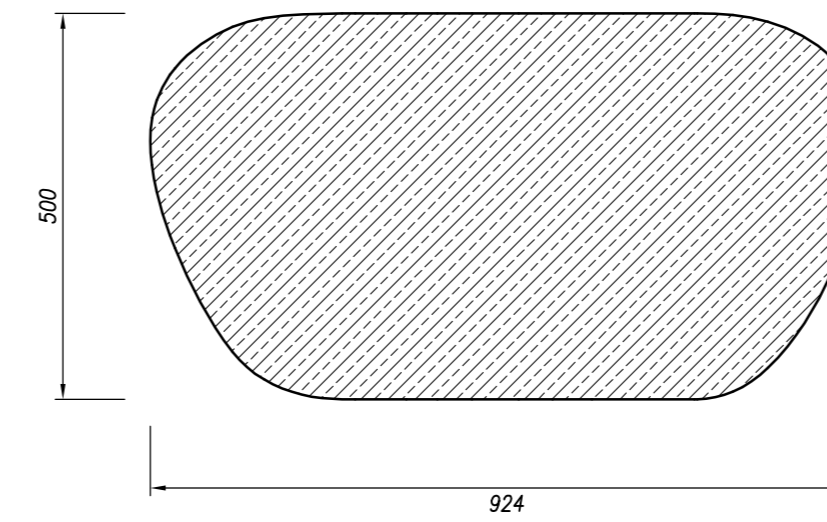
Section 02  
1:10



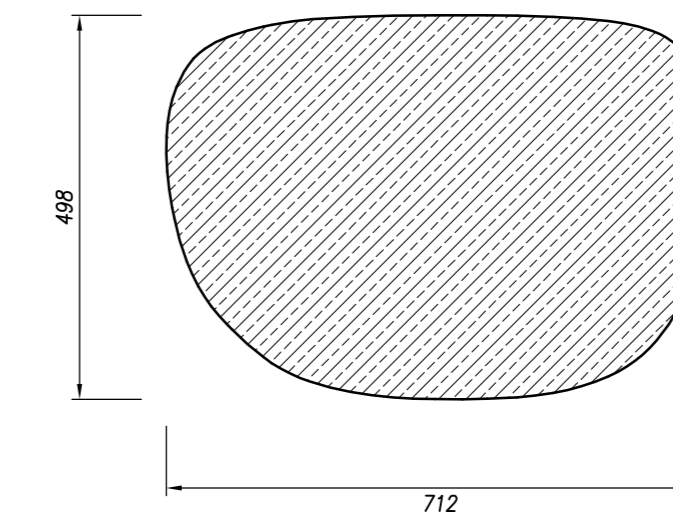
Section 03  
1:10



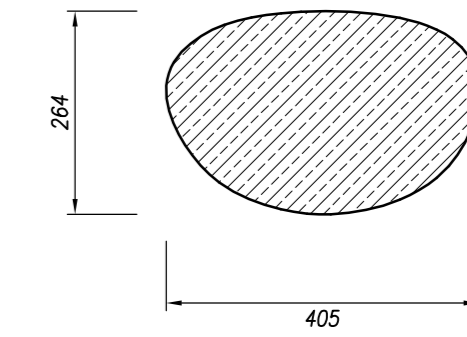
Section 04  
1:10



Section 05  
1:10

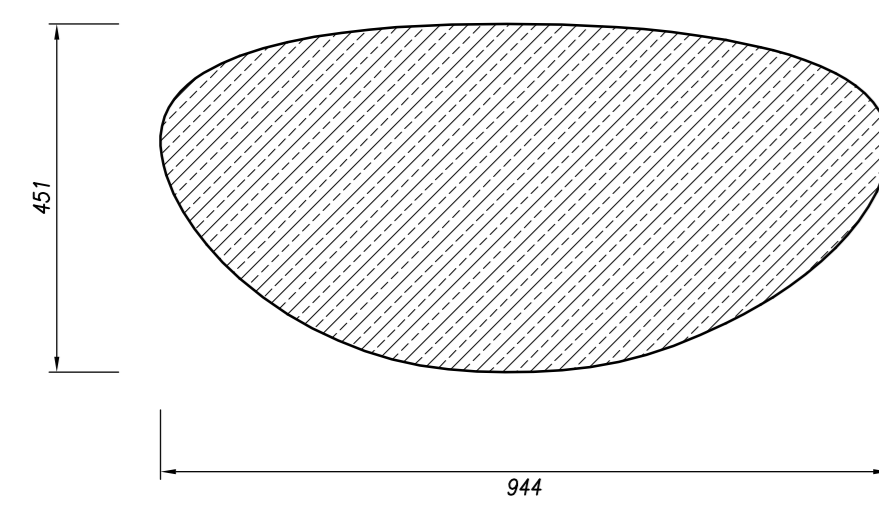


Section 06  
1:10

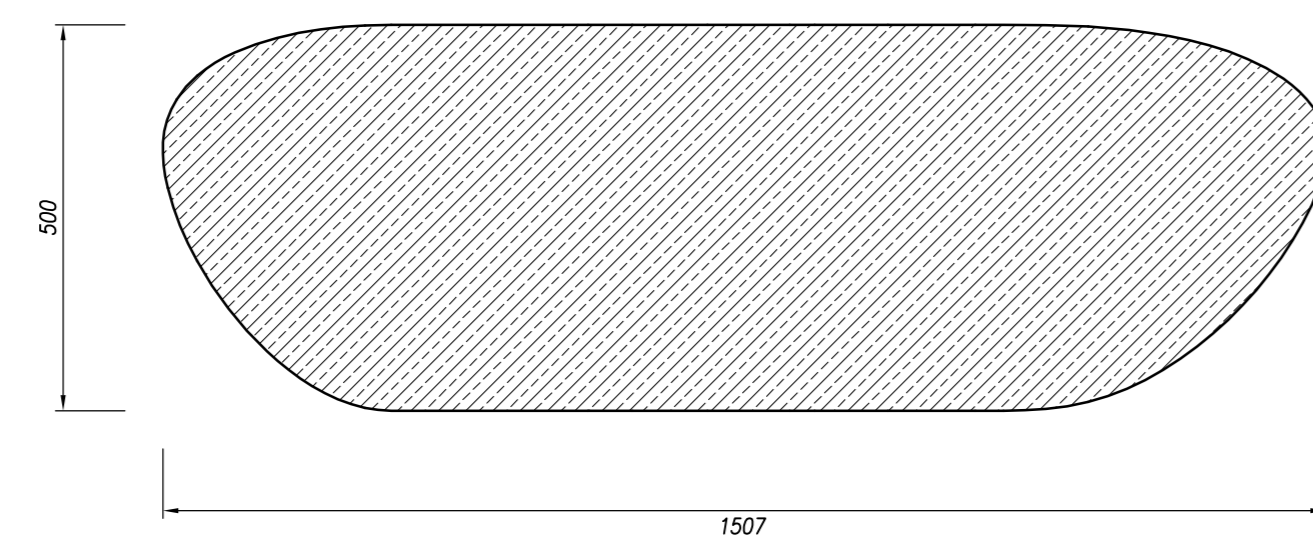


Section 07  
1:10

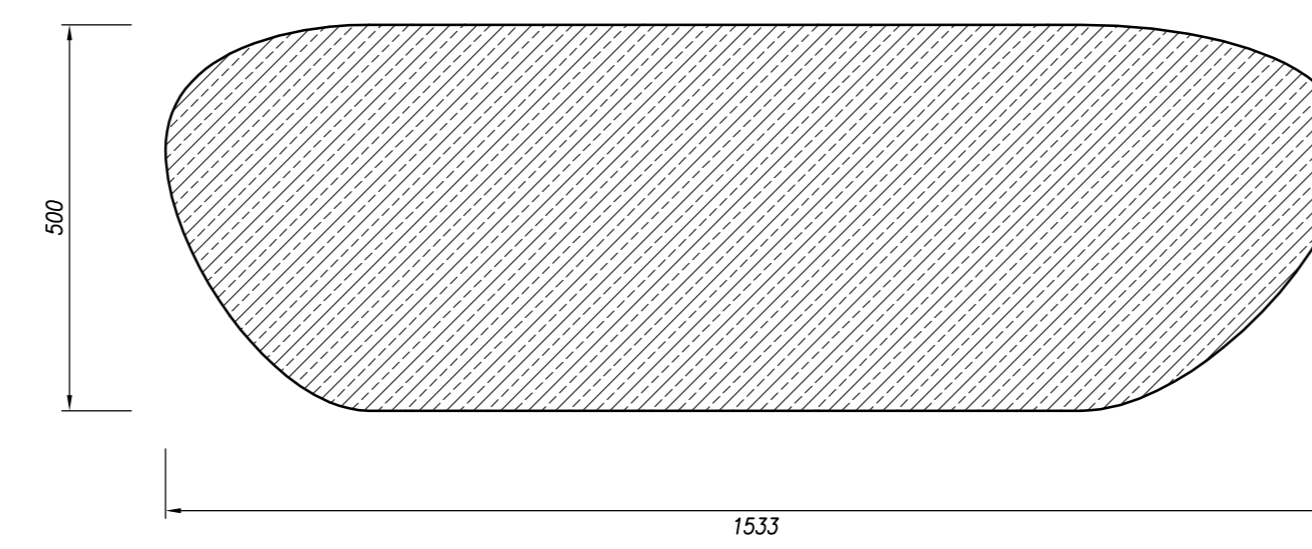
Note: Sections Drawn at full Size in Modelspace.



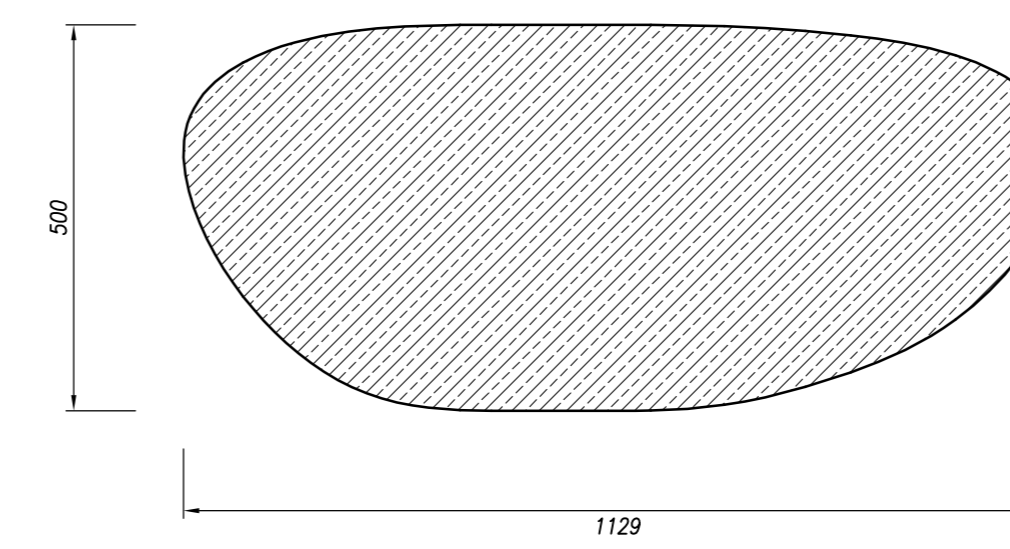
Section A  
1:10



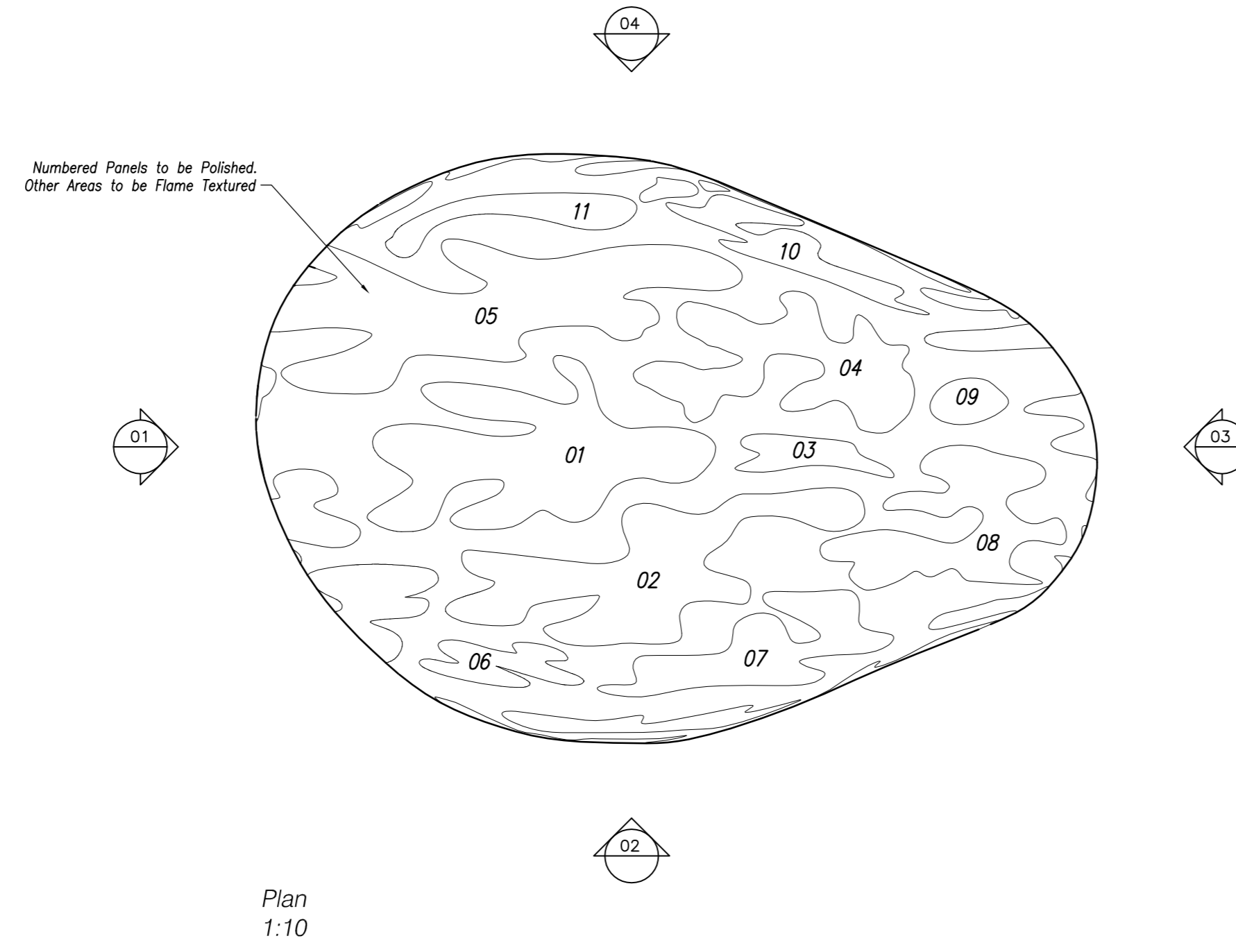
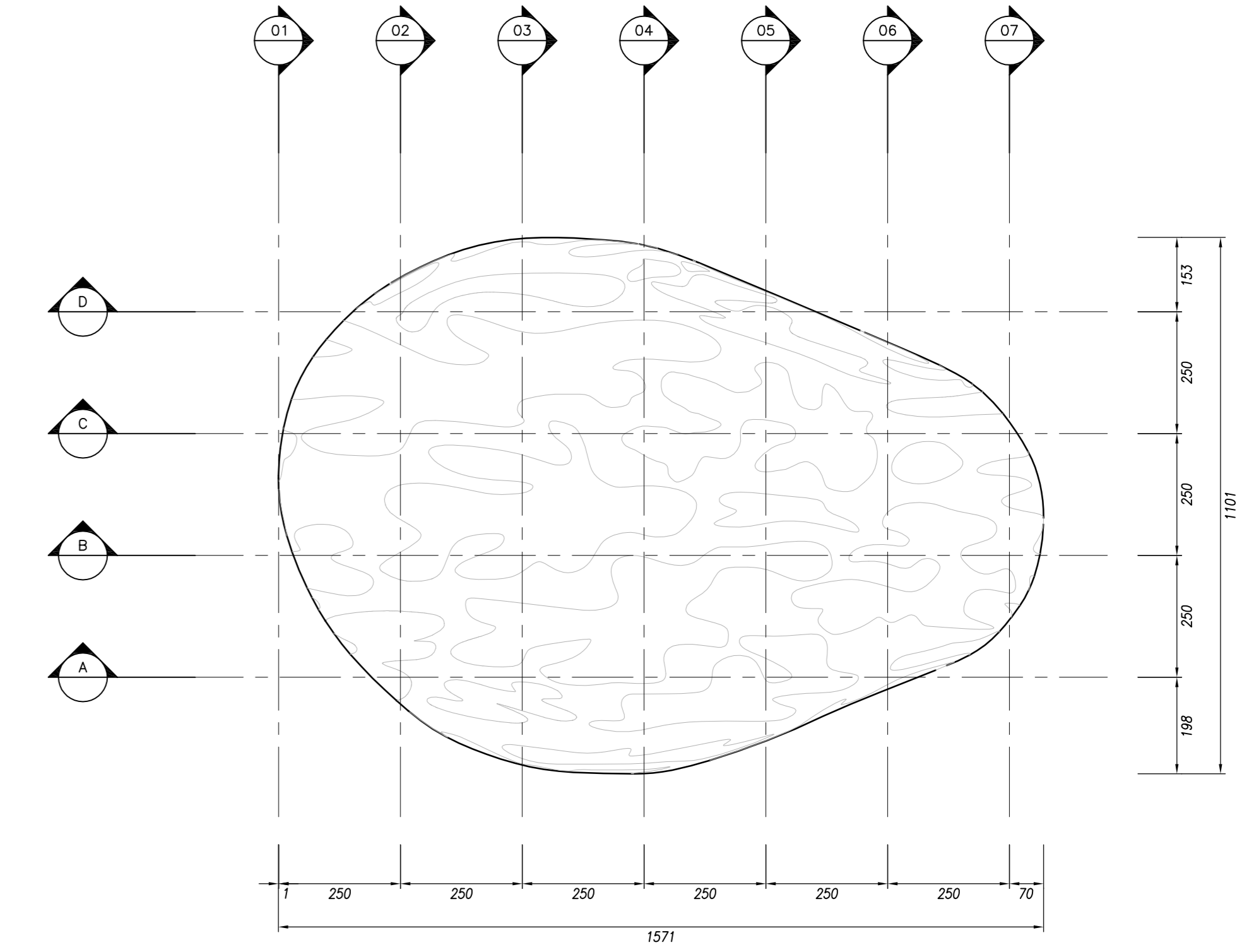
Section B  
1:10



Section C  
1:10



Section D  
1:10

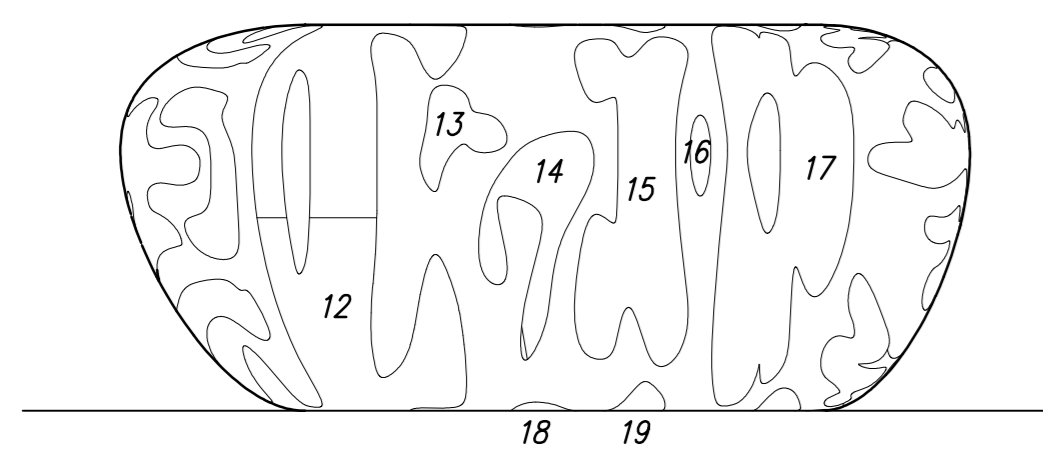


Perspective View

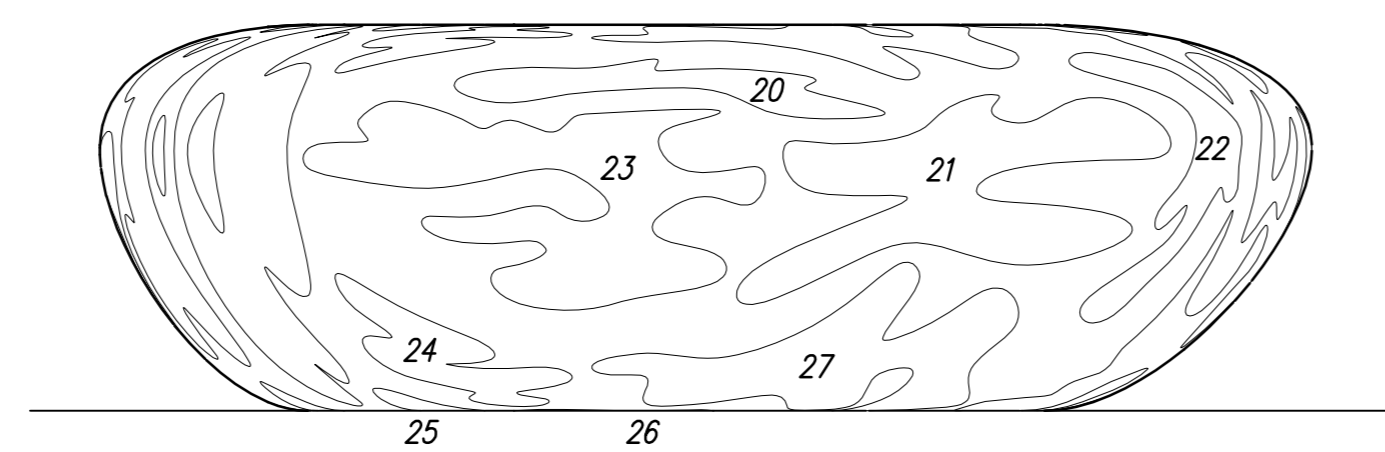


Perspective View

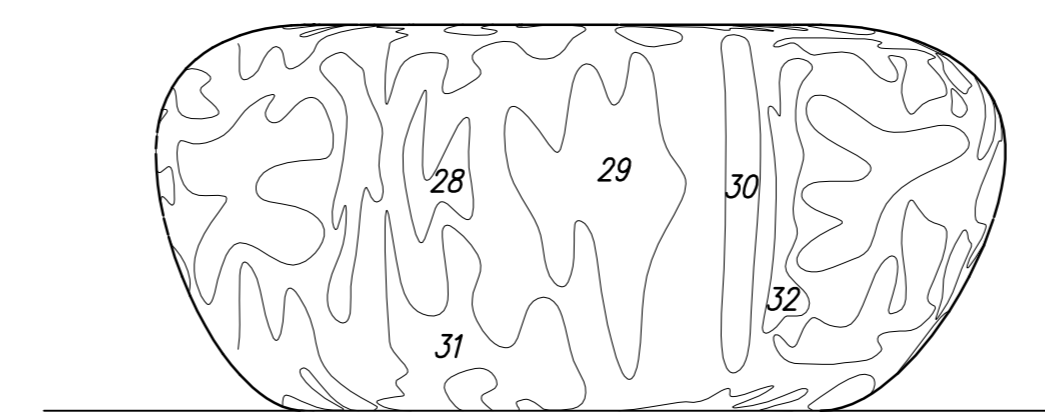
Note: For Pattern Templates Please Refer to Drawing MDL / PB / 02



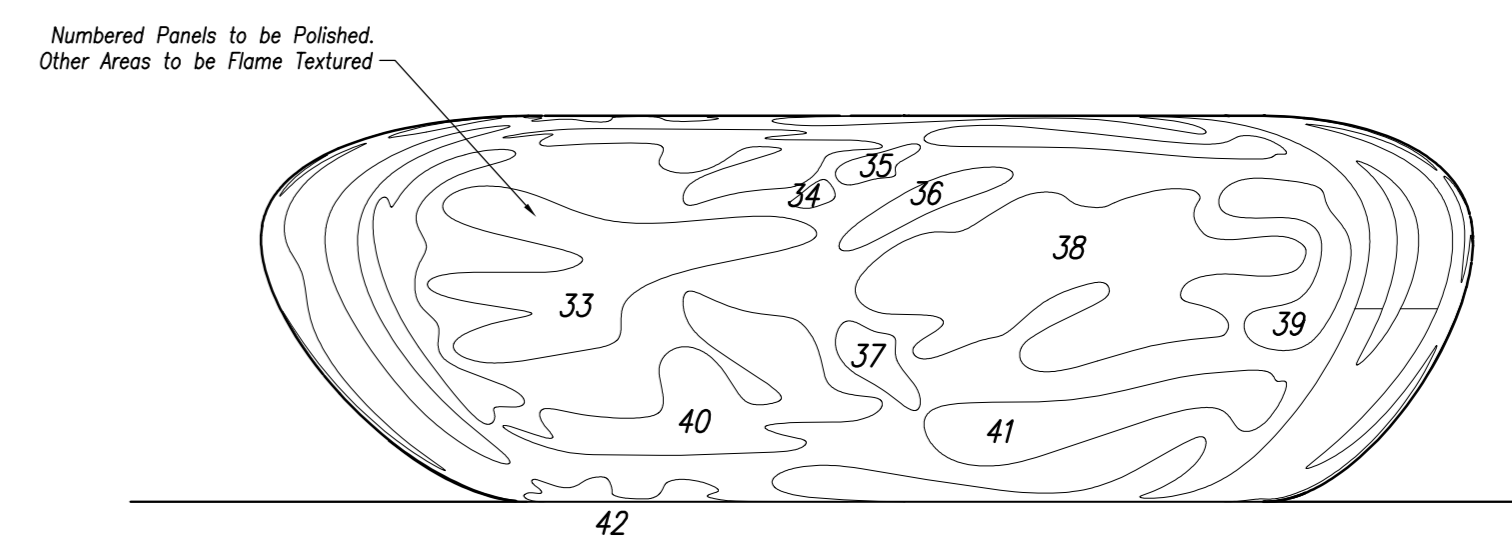
Elevation 01  
1:10



Elevation 02  
1:10



Elevation 03  
1:10



Elevation 04  
1:10